

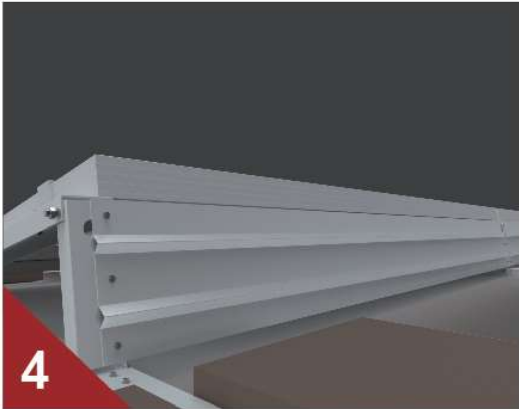
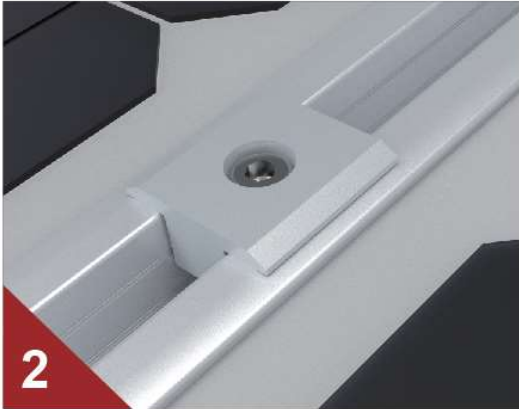
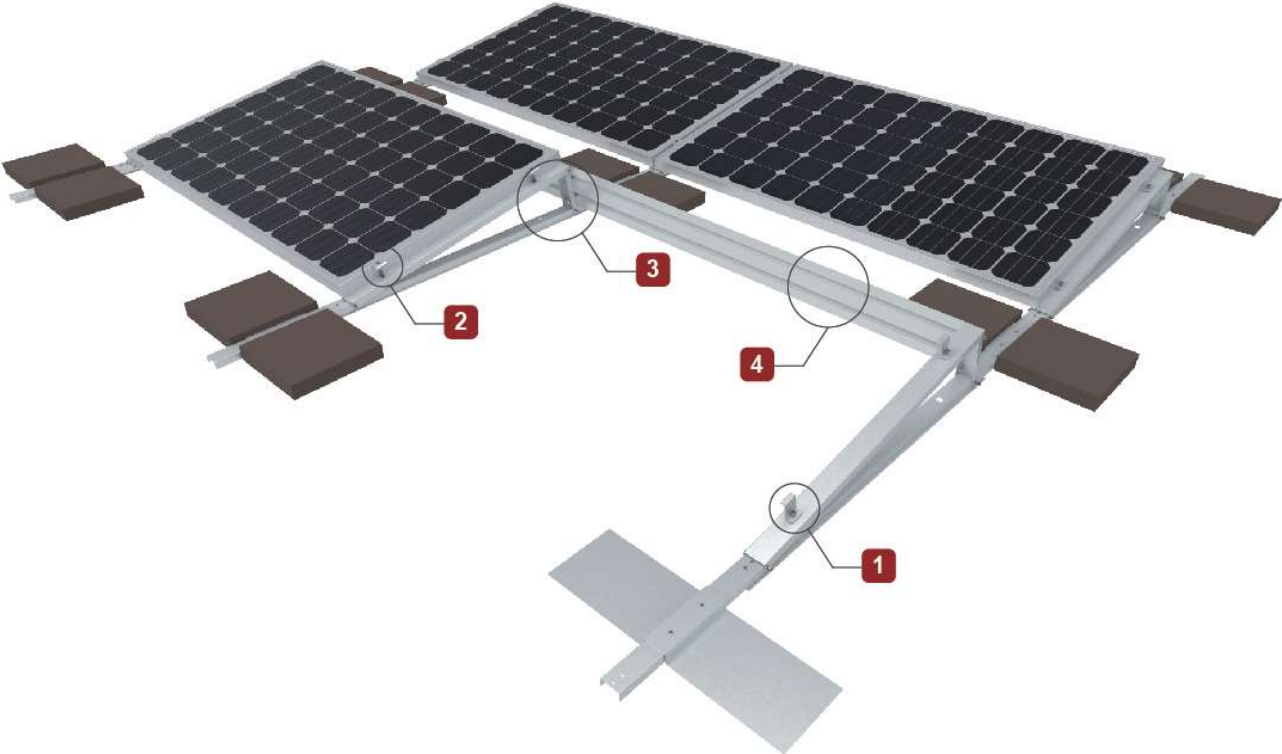
F101- BALLASTED SYSTEM

Ideal solution for flat roofs with low ballast potential and with or without parapet

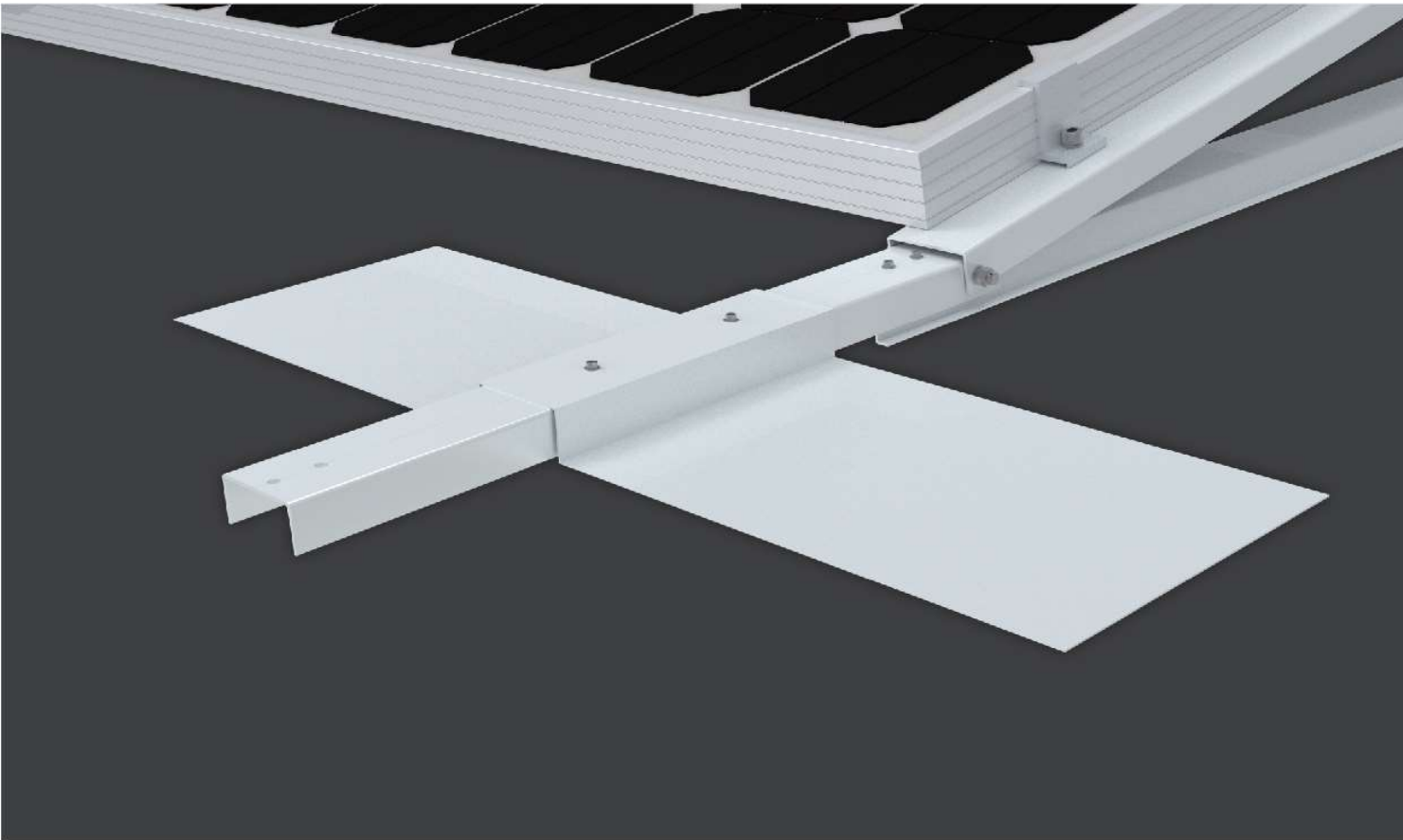
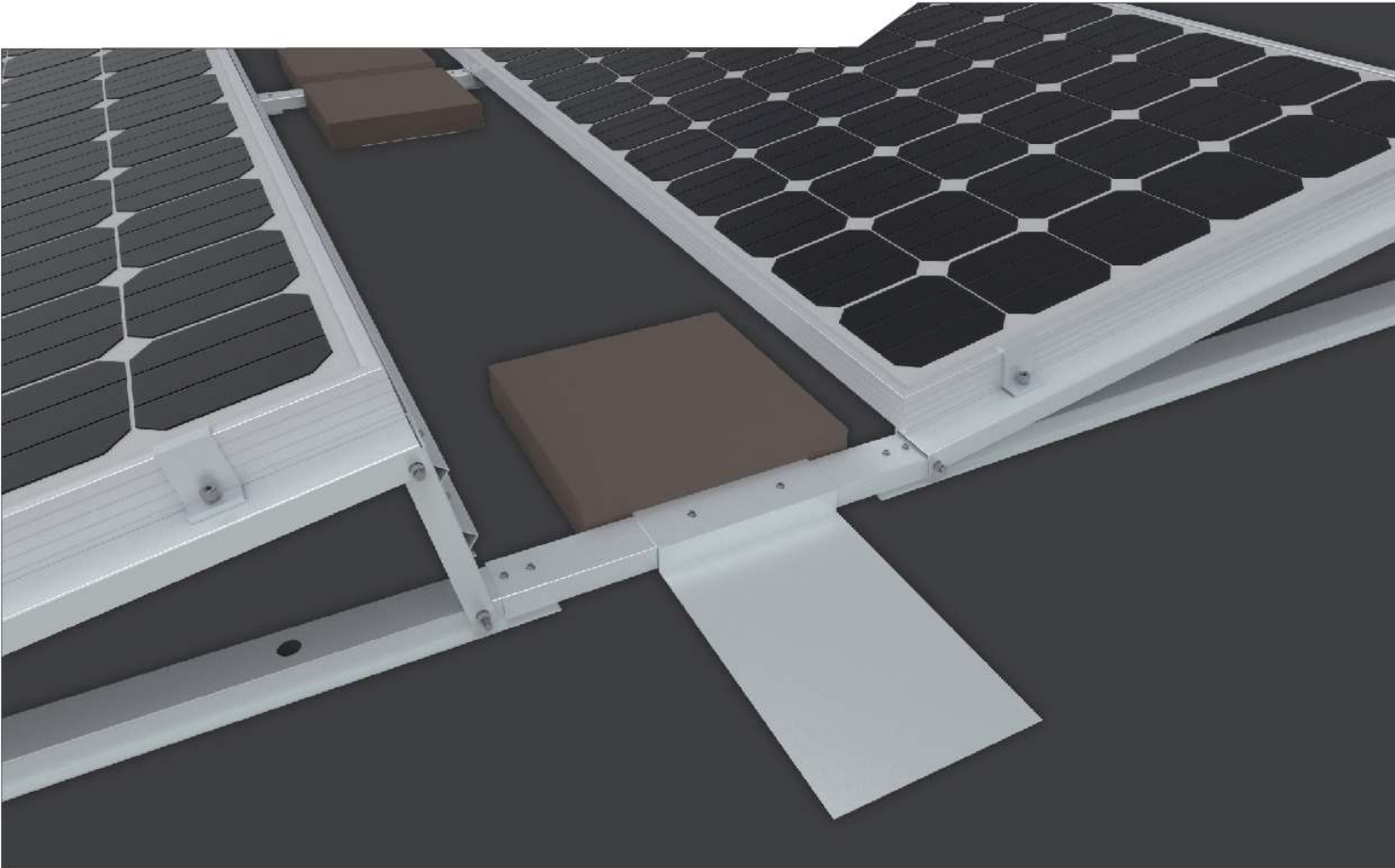


15 YEARS
WARRANTY

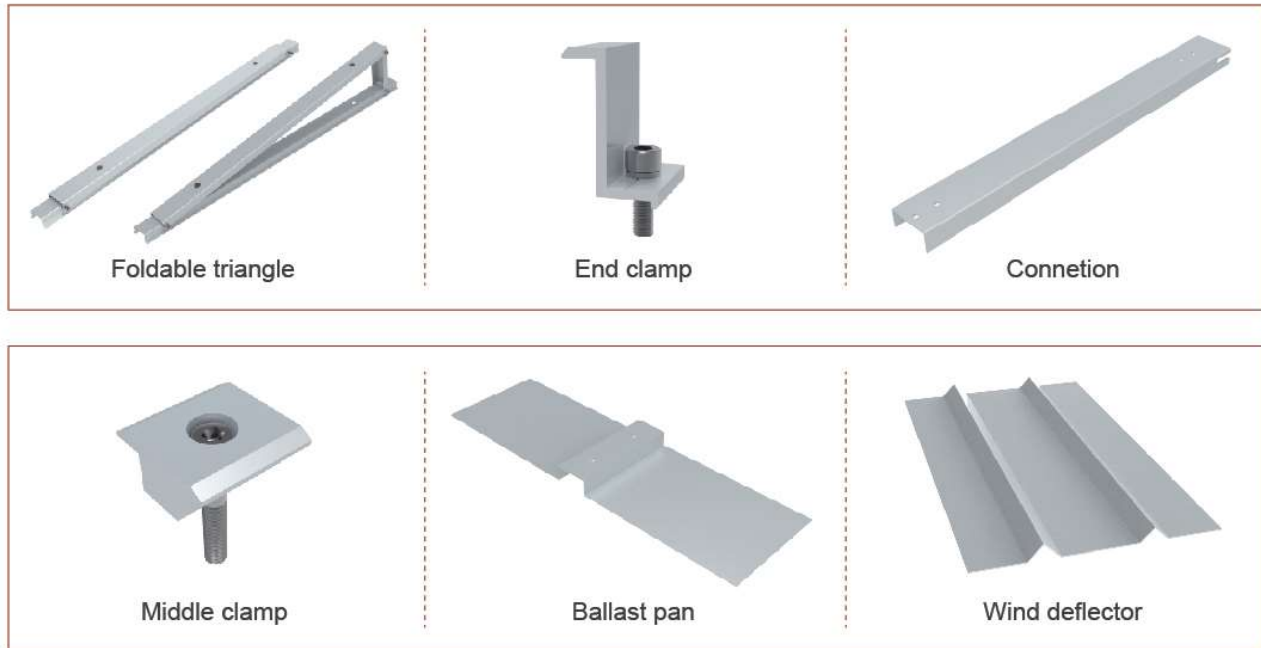
Low ballasted system for flat roof



Low ballasted system for flat roof



Components

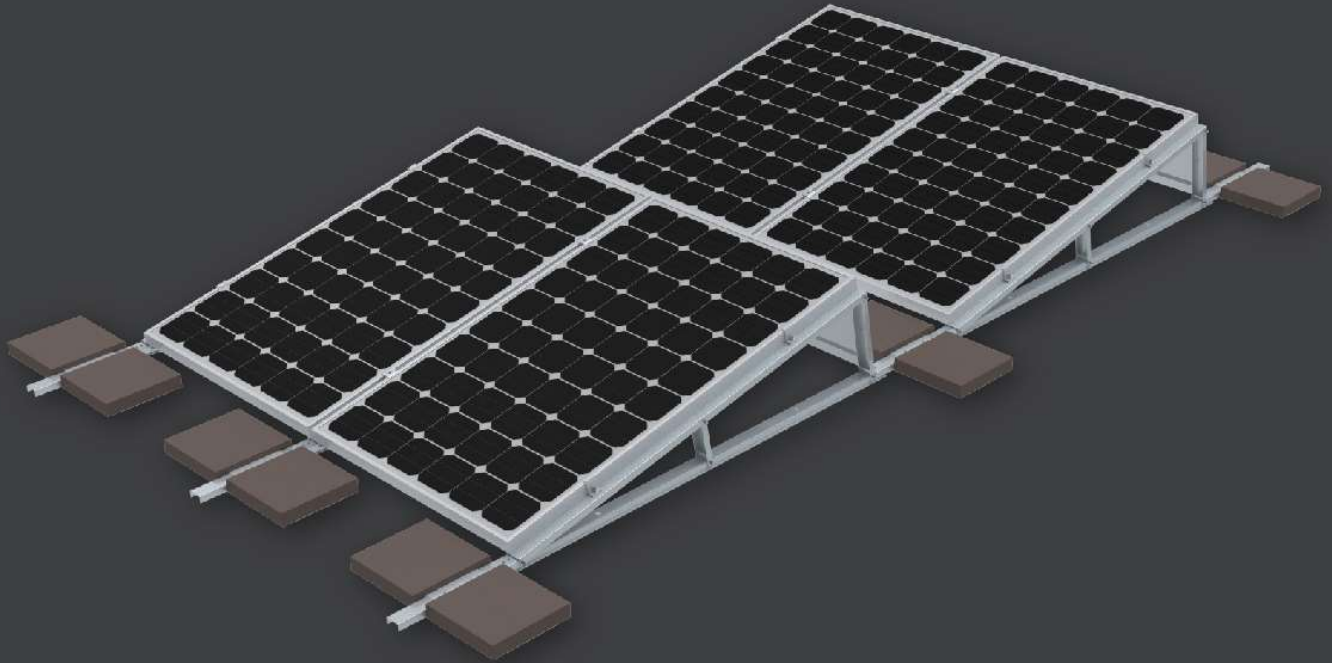


Smart and safe flat roof solution

- Completely innovative component-reduced, low ballast unilateral elevation system for variable orientation of south-east to south-west, with same yield performance.
- Ideal solution for flat roofs with low ballast potential and with or without parapet
- Easy for installation, with very few highly pre-assembled components.
- Installation time optimization, with highly pre-assembled components
- Available at 10°.12°.15° elevation angle.
- Aerodynamically optimized with wind breaker on reverse enabling minimal ballasted weight.
- Easy for transportation, with foldable triangles saving space.

Parameter

Technical data:	
Field on application	Flat roof
Roofing	Membrane and bitumen roof
PV modules	All modules, according manufactory's instruction
Module orientation	Horizontal
System orientation	South-east to South-west
Material	Aluminum
Roof connection	Laying with potential ballasting, no roof penetration
Load assumption	DIN EN 1991(Eurocode1)



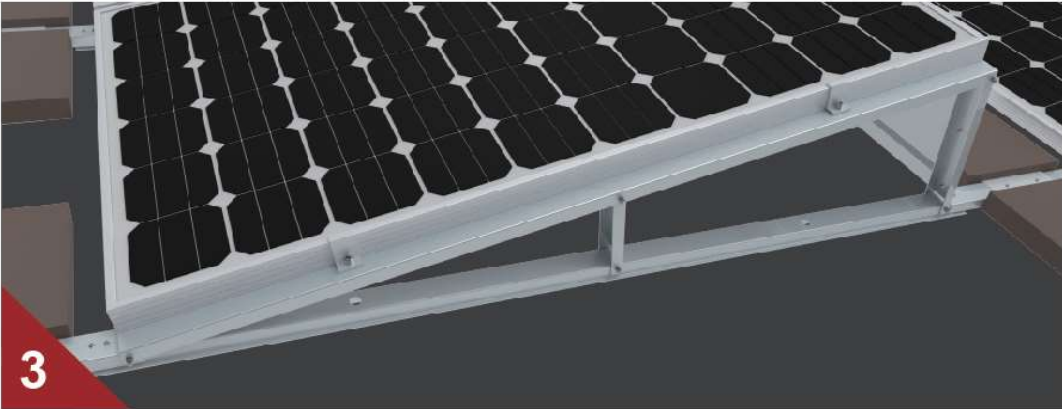
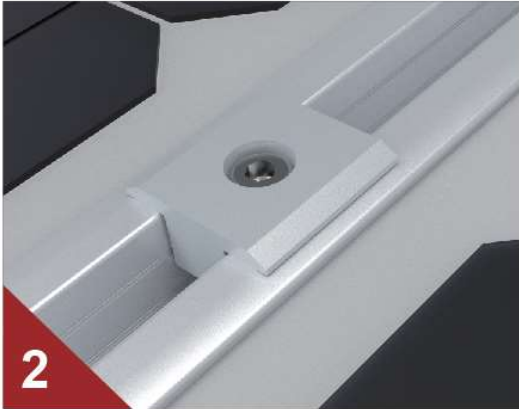
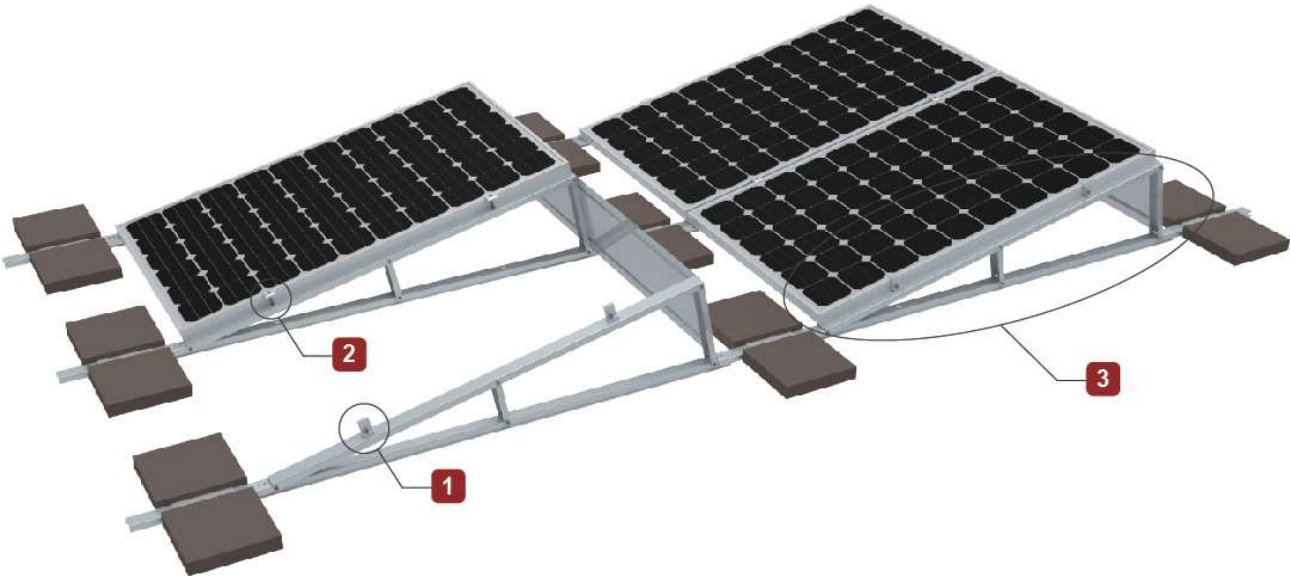
F102- BALLASTED SYSTEM

Ideal solution for flat roofs with low ballast potential and with or without parapet

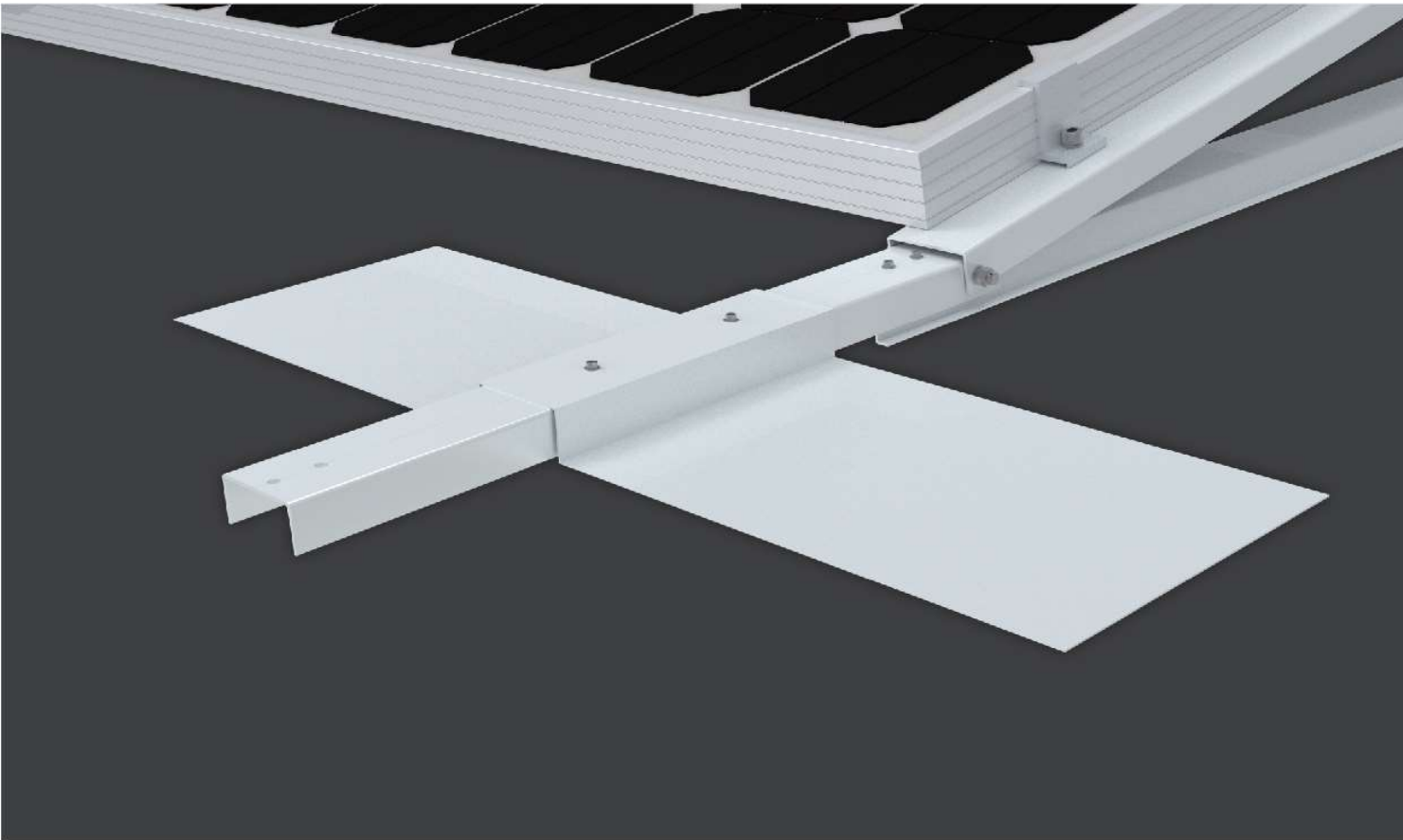
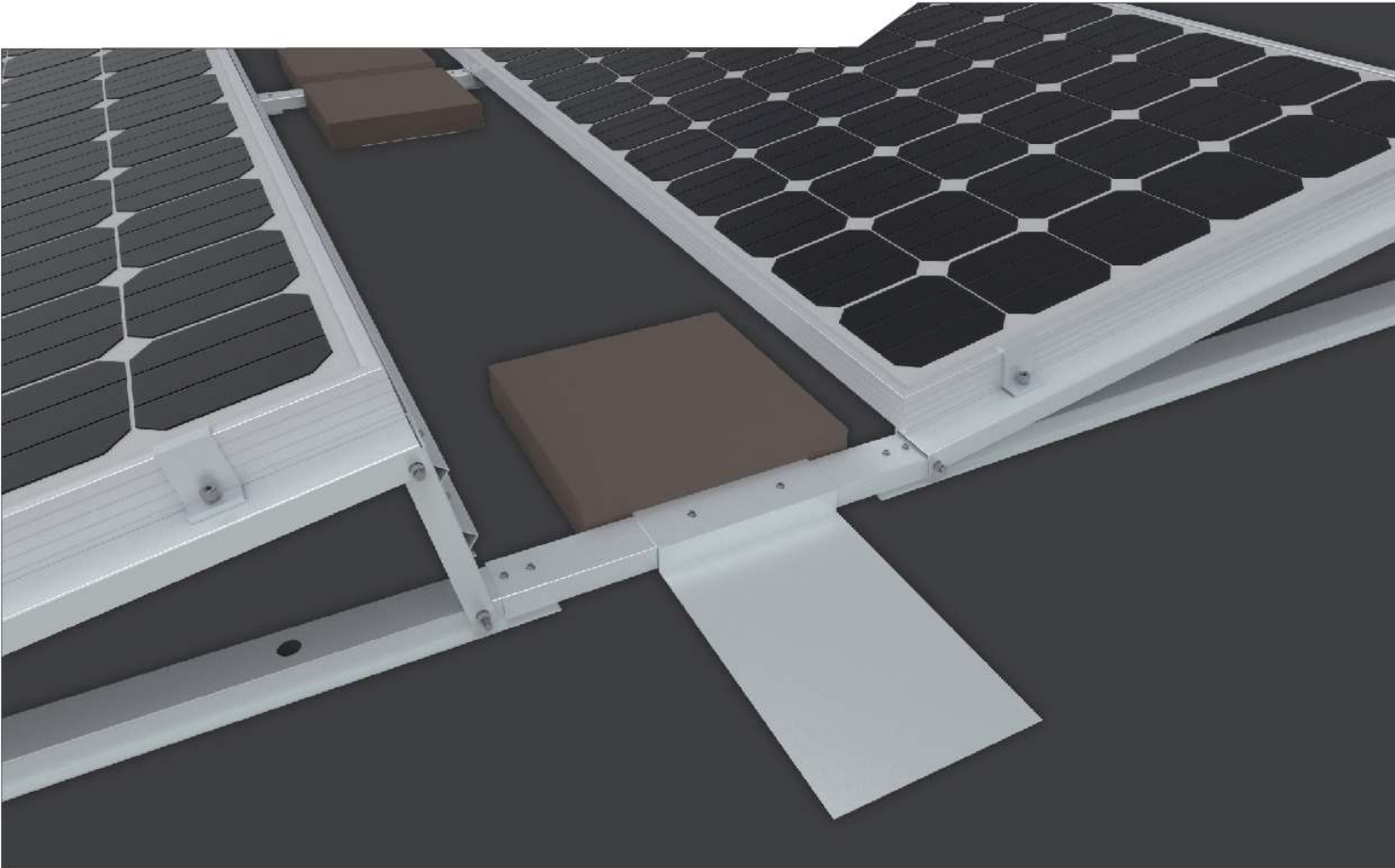


15 YEARS
WARRANTY

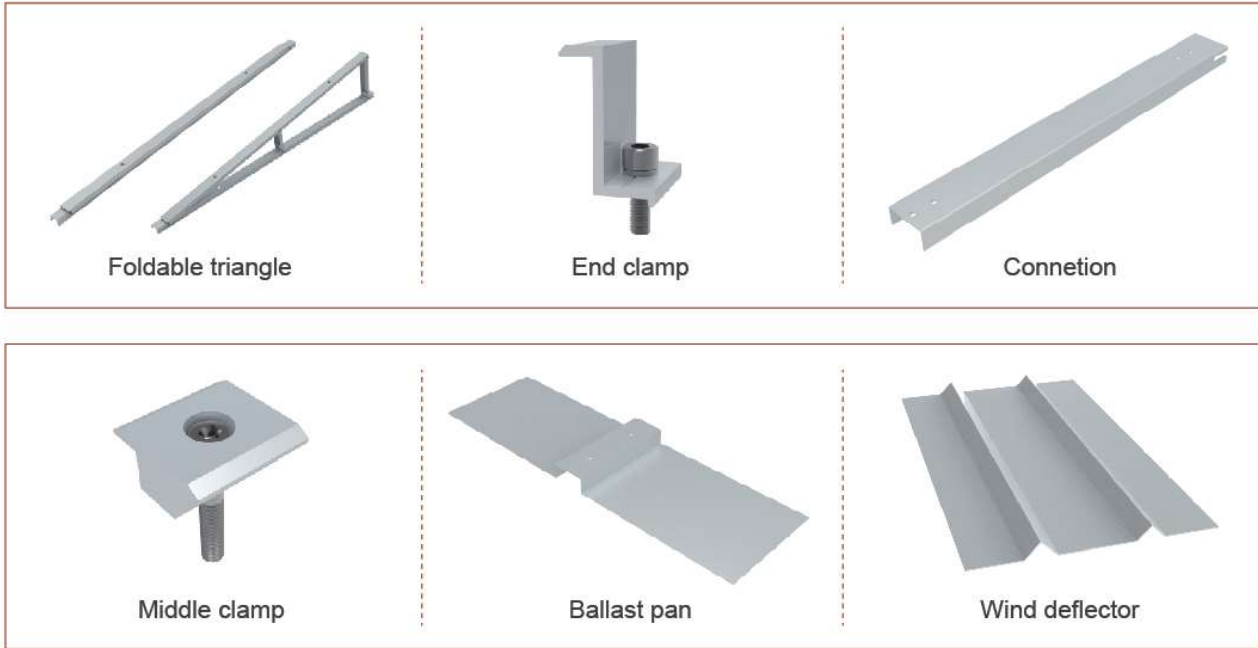
Low ballasted system for flat roof



Low ballasted system for flat roof



Components



Smart and safe flat roof solution

- completely innovative component-reduced, low ballast unilateral elevation system for variable orientation of south-east to south-west, with same yield performance.
- Ideal solution for flat roofs with low ballast potential and with or without parapet.
- Easy for installation, with very few highly pre-assembled components.
- Installation time optimization, with highly pre-assembled components.
- Available at 10°.12°.15° elevation angle.
- Aerodynamically optimized with wind breaker on reverse enabling minimal ballasted weight.
- Easy for transportation, with foldable triangles saving space.

Parameter

Technical data:	
Field on application	Flat roof
Roofing	Membrane and bitumen roof
PV modules	All modules
Module orientation	Vertical
System orientation	South-east to South-west
Material	Aluminum
Roof connection	Laying with ballasting, no roof penetration
Load assumption	DIN EN 1991(Eurocode1)



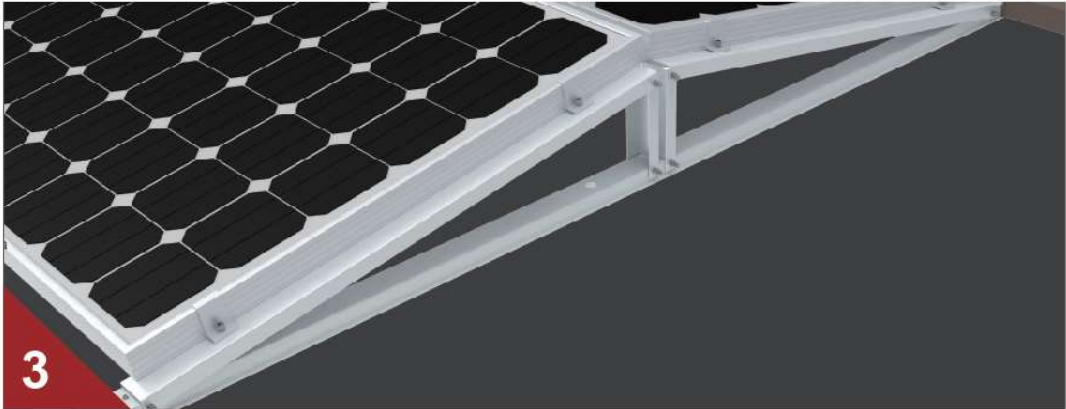
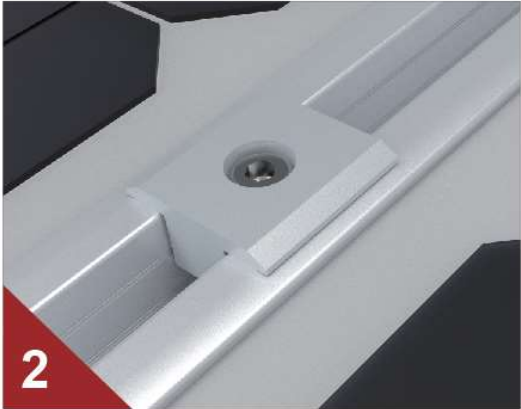
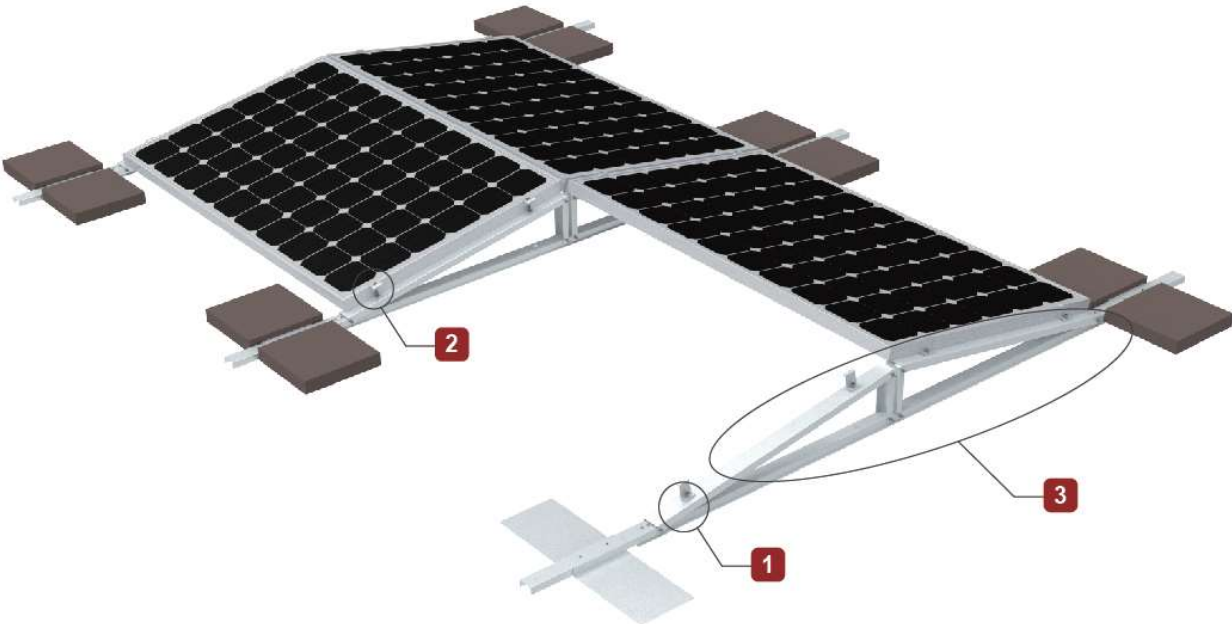
F103- BALLASTED SYSTEM

Ideal solution for flat roofs with low ballast potential and with or without parapet

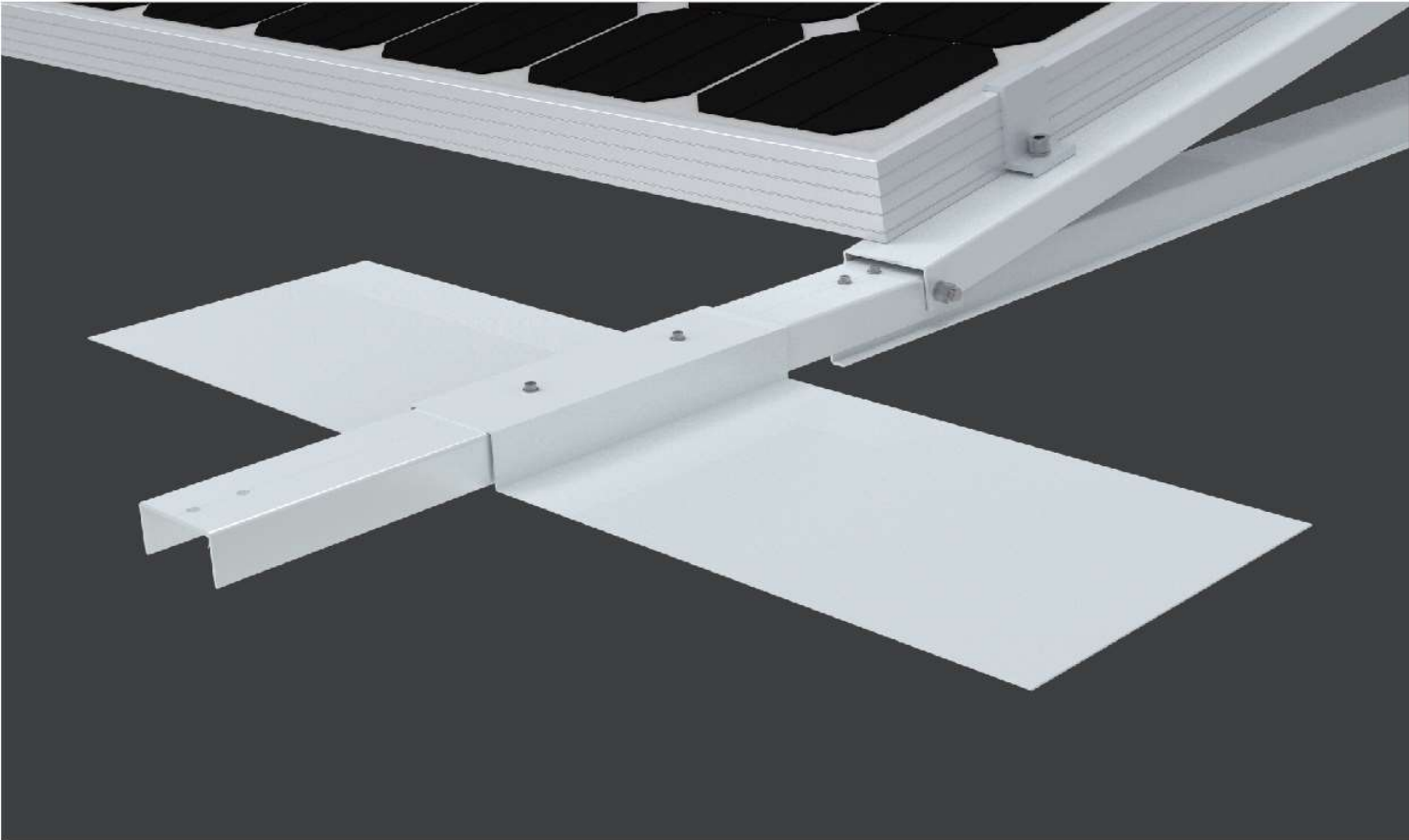
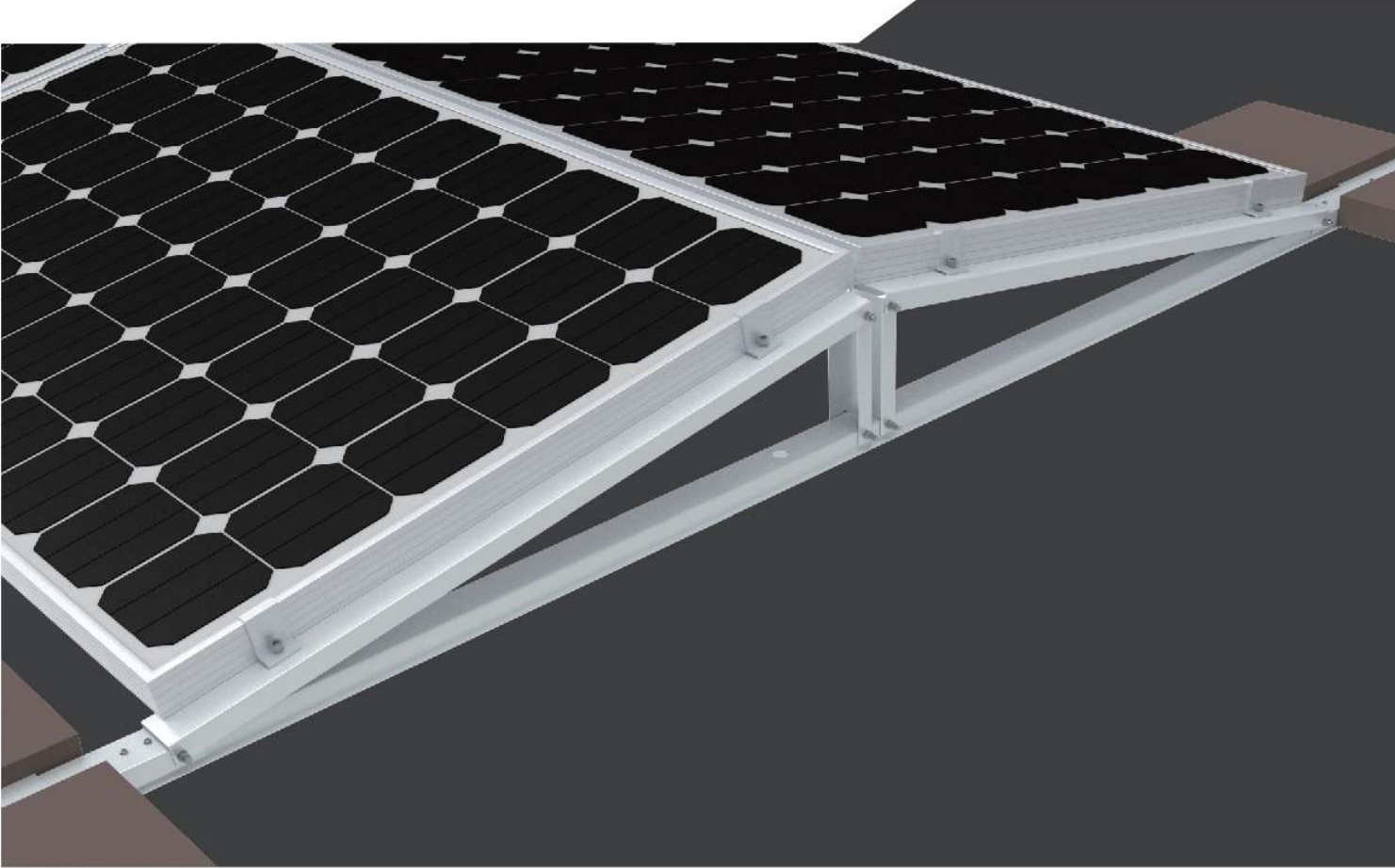


15 YEARS
WARRANTY

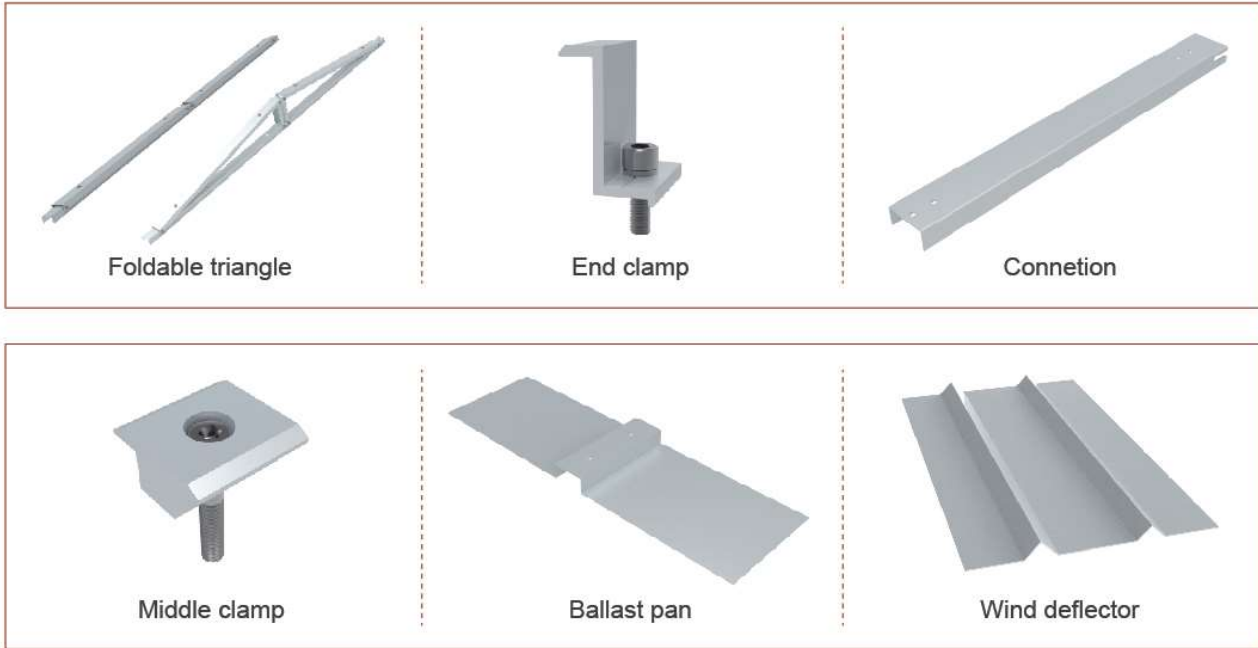
Low ballasted system for flat roof



Low ballasted system for flat roof



Components



Smart and safe flat roof solution

- Completely innovative component-reduced, low ballast unilateral elevation system for variable orientation of west and east, with same yield performance.
- Ideal solution for flat roofs with low ballast potential and with or without parapet.
- Easy for installation, with very few highly pre-assembled components.
- Installation time optimization, with highly pre-assembled components.
- Available at 10°.12°.15° elevation angle.
- Aerodynamically optimized with wind breaker on reverse enabling minimal ballasted weight.
- Easy for transportation, with foldable triangles saving space.

Parameter

Technical data:	
Field on application	Flat roof
Roofing	Membrane and bitumen roof
PV modules	All modules
Module orientation	Horizontal
System orientation	East and West
Material	Aluminum
Roof connection	Laying with ballasting, no roof penetration
Load assumption	DIN EN 1991(Eurocode1)